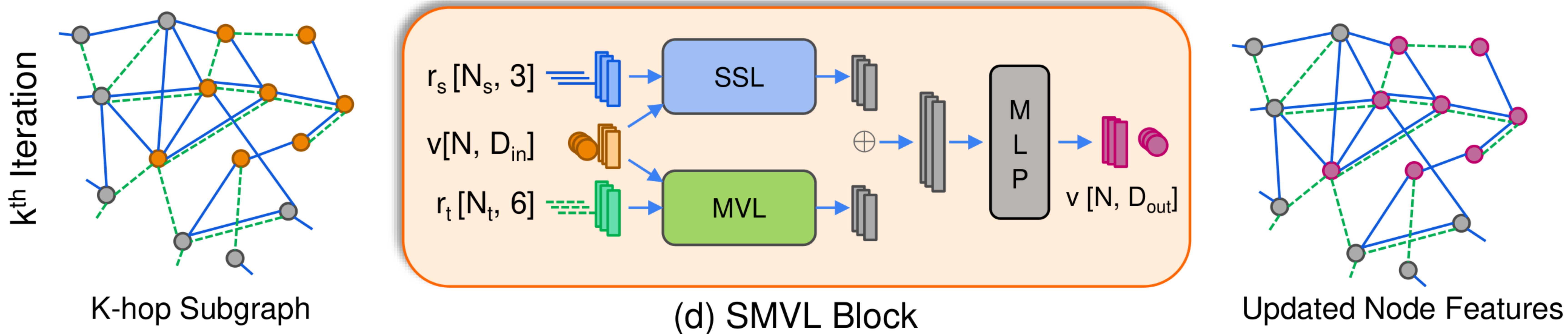


(a) Graph Generation

(b) Node Feature Learning

(c) Task Head



(d) SMVL Block

Updated Node Features